



V1

# USER MANUAL

T4 AND T4X



## THANK YOU FOR PURCHASING AN INNLED PRODUCT..

*Thank you for purchasing an INNLED product.*

*«In a process of French manufacture, this product was developed and assembled by our team in our Montpellier workshop.*

*Because we attach special importance to the feedback of our customers, we invite you to contact us for any remark or suggestion. In order for us to continue to 'enlighten your ideas' in the best possible way....»*

*The INNLED team*



# TABLE OF CONTENTS

---

1

PRECAUTIONS FOR  
USE  
P2

2

CERTIFICATE OF  
CONFORMITY  
P5

3

INTRODUCTION AND  
OVERVIEW  
P6

4

T4 CONTENT AND  
ASSEMBLY  
P10

5

T4X CONTENT AND  
ASSEMBLY  
P15

6

MANUAL MODE  
P22

7

REMOTE  
CONTROLLING  
P28

8

BATTERY  
P30

9

MAINTENANCE AND  
CLEANING  
P32

# 1

## PRECAUTIONS FOR USE

### WARNING !

- Read the precautions in this manual before installing, lighting, using or maintaining this product.
- The following symbols are used to identify important information of security of the product.



Warning !  
High risk.  
Risk of severe, even  
deadly injury.



Warning !  
LED light source.  
Risk of ocular injury.



Warning !  
Refer to the manual  
before installing,  
switching on or repairing  
the product.



Warning !  
Dangerous tensions.  
Risk of severe injury  
or electric shock..



Warning !  
Hot surfaces  
and risk of fire.



Warning! Risk Group 1 product according to EN 62471. Avoid directly looking into the beam source and do not observe the beam source with an optical instrument or any device that would concentrate the light.

This lighting mast is for professional use only. It is not intended for home use. It presents risks of serious injury by burns, fire, electric shock and fall from heights if the precautions for use are not followed.

Do not install, use, or service this product unless scrupulously following the instructions given in this manual, you could otherwise be creating a security risk and damage that would not be covered by the warranty.



Follow the warnings listed below and respect all warnings printed in this manual.  
Keep this manual for future use.

For updates of the documentation and any information relative to this product and the rest of the INNLED range, visit our website:

<http://www.innled.fr>

For any questions about the safe handling of this product, contact your Innled dealer or call for technical assistance from Monday to Friday from 9am to 6pm: +33 9500 508 78.

Respect all local standards and regulations during the installation, when switching the product on for the first time.



## **PROTECTION AGAINST ELECTRIC SHOCKS**

Do not use the product in the rain, do not immerse in water.

### **T4 AND T4X - BATTERY OPERATED**

Turn off the device before proceeding with installation or maintenance.

### **T4 AND T4X - ON MAIN POWER**

Disconnect the power supply from the mains before proceeding to the installation or maintenance. Make sure the device is properly connected to the ground.

Only use a standard AC power source which is protected against overcurrent and differential faults.

The power outlet or external power cut that power the mast must be located nearby and easily accessible in order to disconnect the device from the mains.

Immediately isolate the mast from the mains if the mains plug, a gasket, a cable or any other component is visibly damaged, defective, deformed, wet or seems to be overheated.

Do not power the system until all repairs have been completed.

Before using the device, check that the equipment and cables are in perfect condition and certified for the electrical needs of connected devices.



## PROTECTION AGAINST BURNS AND FIRES

Do not use the product if the ambient temperature ( $T_a$ ) exceeds  $40\text{ }^{\circ}\text{C}$  ( $104\text{ }^{\circ}\text{F}$ ). The surface of the device can reach  $65\text{ }^{\circ}\text{C}$  during use. Keep combustible and / or flammable materials away from the product. Do not stick filters, masks or any other material on the optical components. The Li-Ion battery pack should always be handled with care. In case of shock, check that there is no unwanted heating.



## PROTECTION AGAINST EYE DAMAGE

Do not look directly into the light beam. Do not look into the beam with magnifying optical instruments (telescope, binocular glasses or equivalent instruments) that could concentrate the beam. Make sure that individuals can not look directly into the beam from the front of the spotlights when the product lights up suddenly.

This can occur when the power is turned on, when the system receives a DMX signal or when menu items are enabled. To minimize the risk of irritation or eye injury, disconnect the device from the mains or battery when it is no longer used and provide adequate illumination during work periods so that the eye pupils of people working nearby are naturally reduced.



## PROTECTION AGAINST INJURY

The device should not be moved during use or when assembled, the modules could fall.

In case of a malfunction, immediately switch off the mast and disconnect it from the mains or battery. Do not try to repair a device that has been visibly damaged. Do not modify the unit if it is not described in this manual. Refer any service operation not described to a qualified technician.

CE DECLARATION OF CONFORMITY  
 DECLARATION CE DE CONFORMITE  
 CE KONFORMITÄTSEKTLÄRUNG  
 DECLARACIÓN DE CONFORMIDAD CE  
 DICHIARAZIONE DI CONFORMITÀ CE

**We declare :**

(Nous déclarons)  
 (Wir erklären)  
 (Declaramos)  
 (Noi dichiariamo)

**Description / Type :**

(Description / Type)  
 (Beschreibung / Typ)  
 (Descripción / Tipo)  
 (Descrizione/Tipo)

**In accordance with :**

(En accord avec)  
 (In Übereinstimmung mit)  
 (De acuerdo con)  
 (In conformità con)

**Referency document :**

(En conformité avec)  
 (Referenzdokument)  
 (Documento de referencia)  
 (Documento di riferimento)

SAS INNLED  
 360 avenue des compagnons  
 34170 CASTELNAU-LE-LEZ  
 FRANCE

**UNIVERSAL LIGHTING MAST  
 TECNOPAR T4 or T4x or T4c**



**2006/95/EC** The low voltage directive (LVD)  
**2004/108/EC** The Electromagnetic Compatibility directive (EMC)  
**2014/53/EU** Radio Equipment Directive (RED)

<b>EN55015</b>	Limits and methods of measurement of radio disturbance characteristics of electrical lighting and similar equipment
<b>EN61547</b>	Equipment for general lighting purpose. EMC immunity requirements
<b>EN60598-1/2</b>	Luminaires. General requirements and test
<b>EN60598-2/4</b>	Luminaires. Particular requirements - Portable general purpose lighting
<b>EN62031</b>	LED module for general lighting. Safety specifications
<b>EN62471</b>	Photo biological safety of lamps and lamp systems. Image projector
<b>EN61347-1/2/3</b>	Lamp control gear. Particular requirements for DC or AC supplied electronic control gear for LED modules
<b>EN300328</b>	Electromagnetic compatibility and Radio spectrum Matters (ERM)
<b>EN301489-1/17</b>	Electromagnetic compatibility
<b>EN62479</b>	Assessment of the compliance of low power electronic and electrical equipment with the basic restrictions related to human exposure to electromagnetic fields (10 MHz to 300 GHz)
<b>EN300220-2</b>	Harmonised Standard for access to radio spectrum for non specific radio equipment
<b>EN301489-1/3</b>	ElectroMagnetic Compatibility (EMC) standard for radio equipment and services
<b>EN62311</b>	Assessment of electronic and electrical equipment related to human exposure restrictions for electromagnetic fields (0 Hz - 300 GHz)
<b>EN61000-3.2.2/3</b>	Electromagnetic compatibility (EMC)

**SAS INNLED**

360, avenue des Compagnons  
 34170 CASTELNAU-LE-LEZ  
 Tél. : 09 10 05 08 78  
 Fax : 751 597 600 00020 \*APE : 2740Z

Eric GASIGLIA  
 SAS INNLED CEO  
 Castelnau-Le-Lez,  
 le 15/09/2019

# 3

## INTRODUCTION AND OVERVIEW

The T4 is a battery-powered lighting mast, which includes 3 LEDs per spot and a choice of color temperatures :

- 3000K
- 4000K
- CCT White variable
- RGB.

It is packaged by a set of 3, in a case equipped with integrated chargers. The T4 is controllable with :



DMX transmitter TA51:  
only controllable with a  
DMX console



DMX transmitter TA51W2:  
Controllable with a DMX  
console



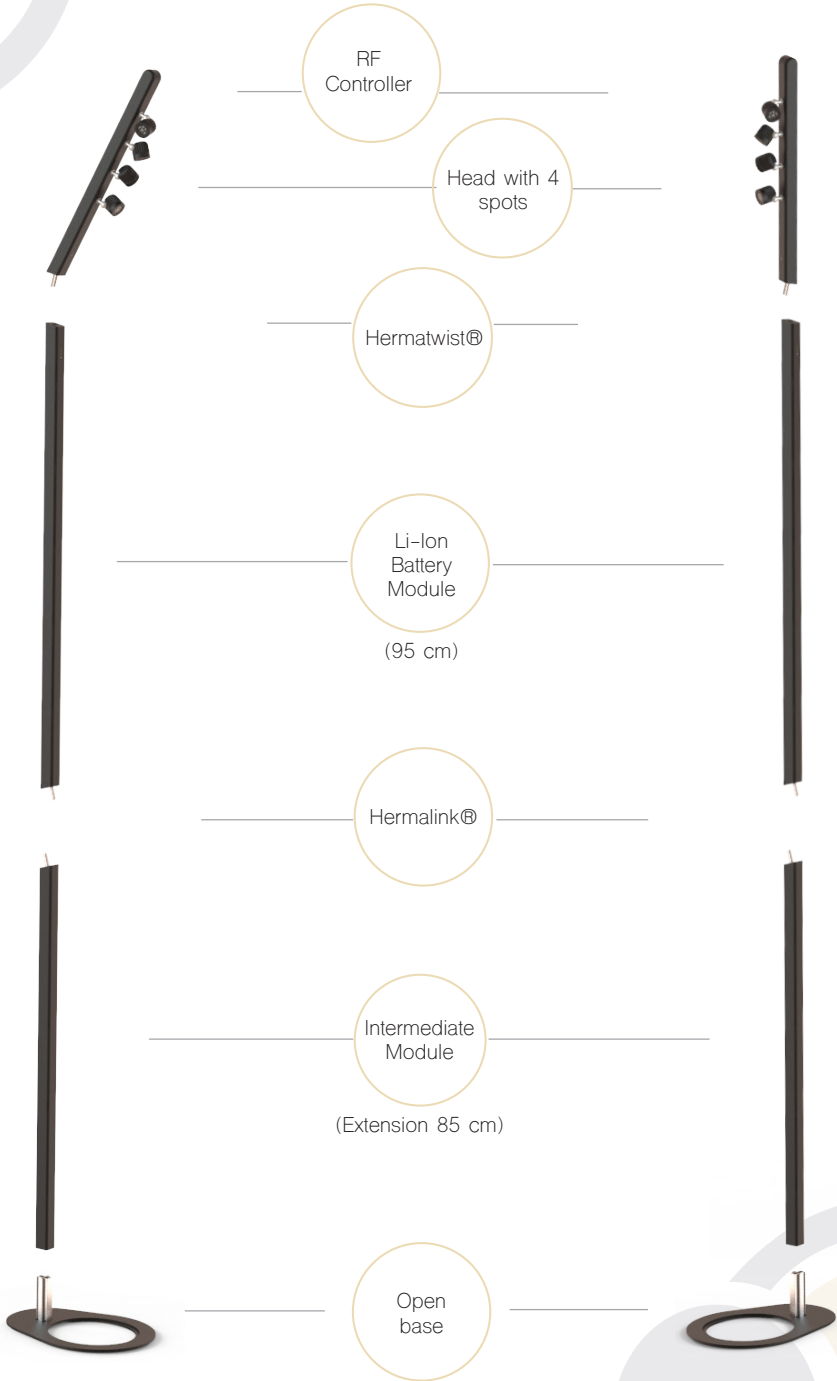
LAKO remote control  
Integrated transmitter

## BEFORE USING THIS PRODUCT FOR THE FIRST TIME

- 1 Carefully read the precautions on page 2 before the installation, switching on, using or maintaining of the device.
- 2 Unpack the device and make sure that no transport incident has damaged it. Never attempt to repair a damaged device.
- 3 Before starting up the mains, make sure that the sector voltage and frequency correspond to the needs of the device.
- 4 Visit the Download page on our website [www.innled.fr](http://www.innled.fr) for the latest updates of the documentation and all technical information.

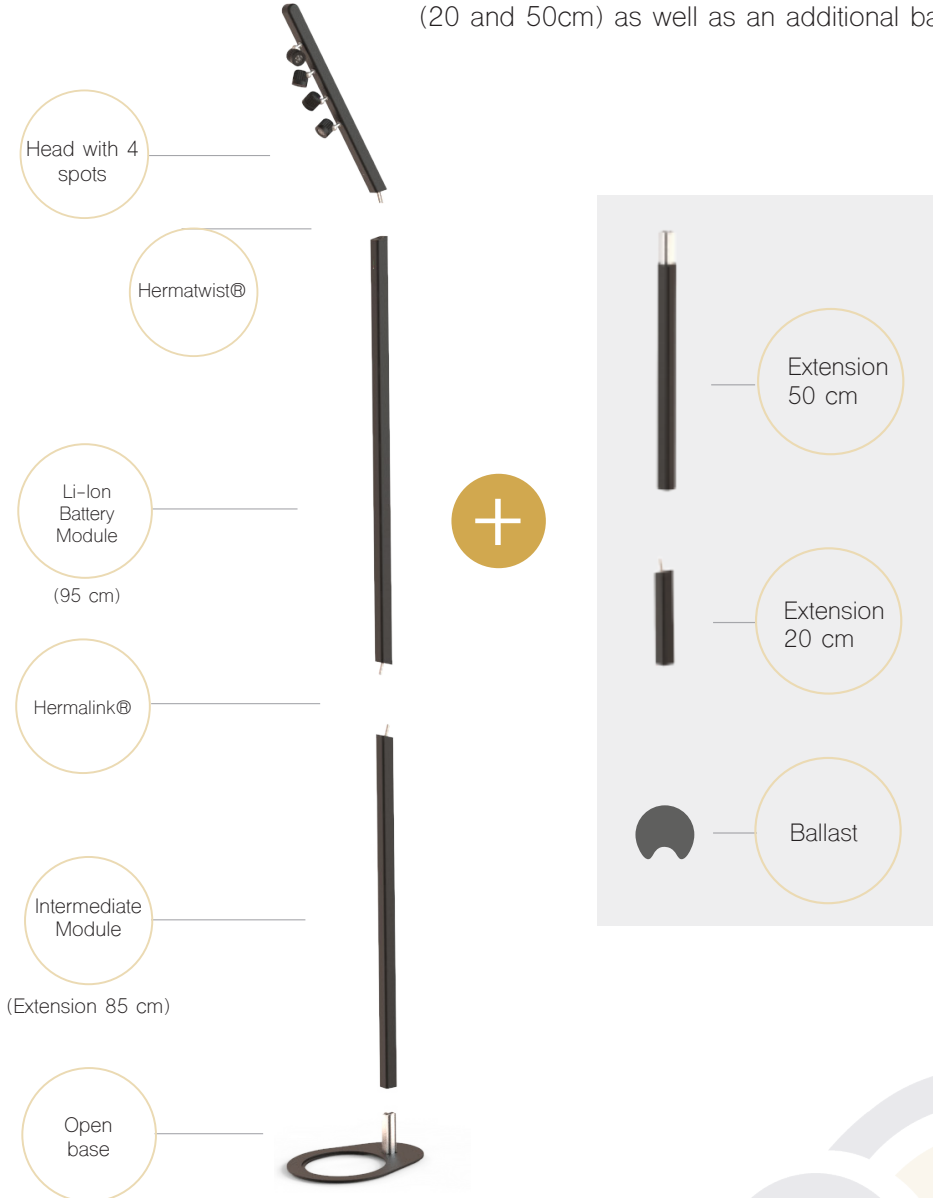


# OVERVIEW T4



# OVERVIEW T4X

The T4X is composed of the same modules as the standard T4, with two extra extensions (20 and 50cm) as well as an additional ballast.



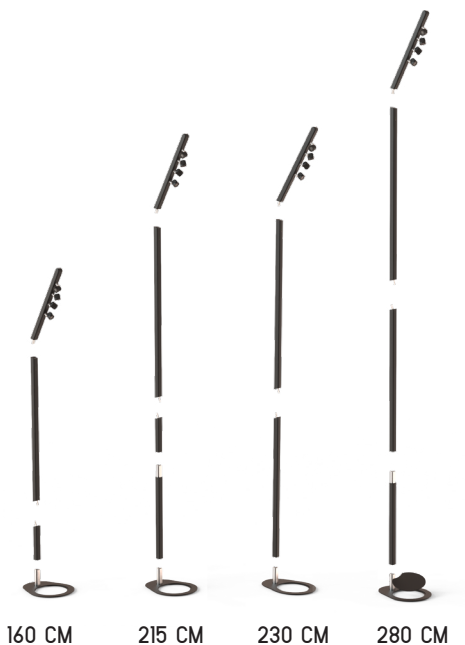
These two additional extensions allow 4 possible configurations :

:

INCLINED



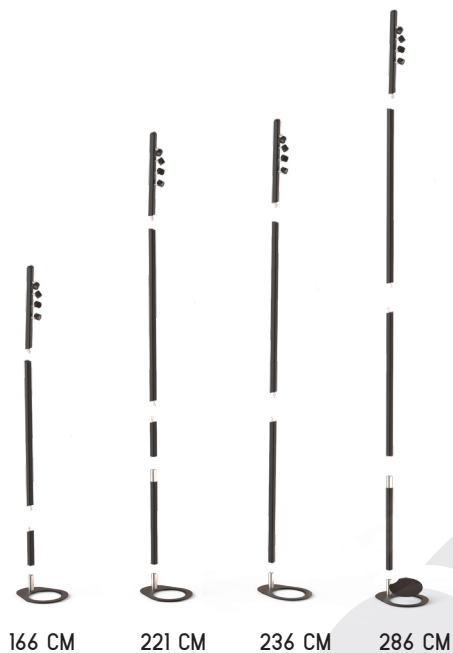
Any other configuration,  
in particular >280 cm is  
STRICTLY PROHIBITED;



STRAIGHT



Any other configuration,  
in particular >280 cm is  
STRICTLY PROHIBITED;



# 4

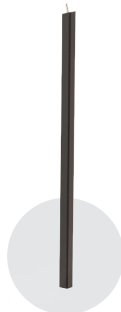
## T4 - CONTENT AND ASSEMBLY



3 X HEAD WITH  
4 SPOTS



3 X LI-ION  
BATTERY MODULES



3 X 85CM  
EXTENSION MODULE



3 X OPEN BASES

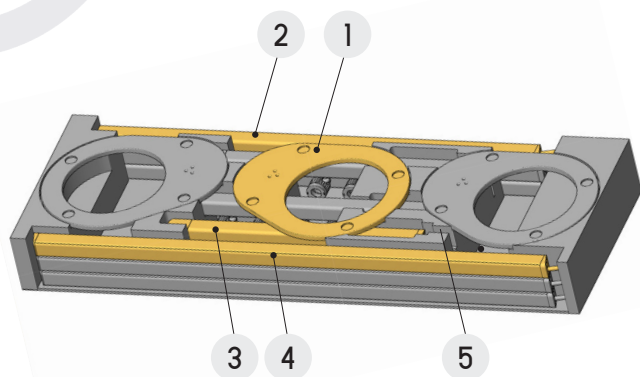


3 X CHARGERS



1 X T4 RANGE  
USER GUIDE

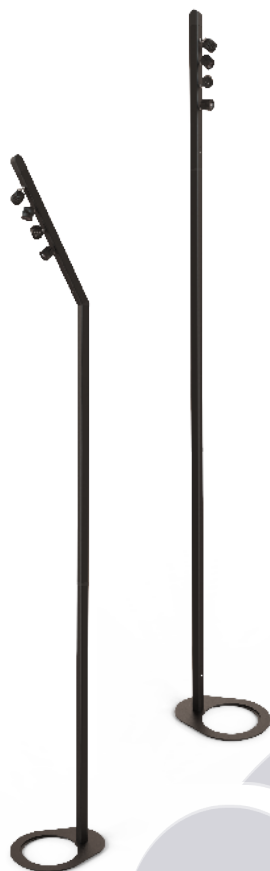
## CONTENT OF THE CASE



- 1 OPEN BASE
- 2 85 CM EXTENSION
- 3 HEAD
- 4 BATTERY
- 5 CHARGER

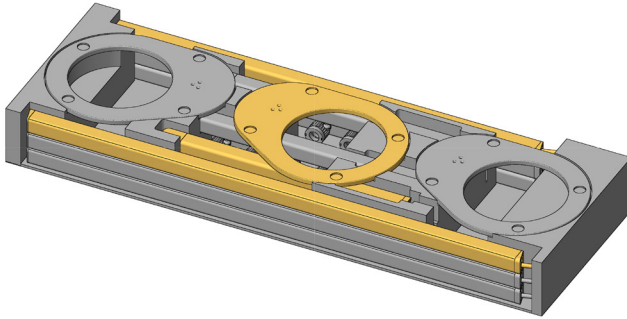


The modular assembly of the T4 offers a straight or an inclined position. The orientation of some modules (head + extension) changes, depending on the configuration you desire. Read the instructions carefully to turn your T4 around.

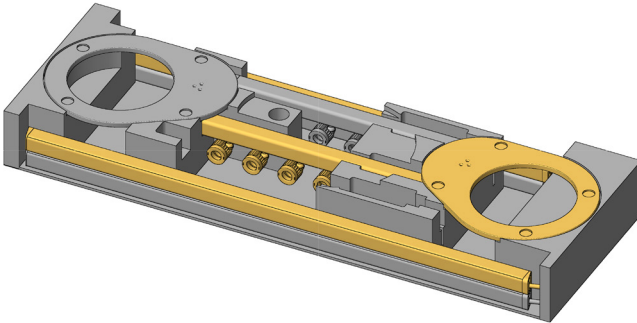


## CONTENT CASE T4

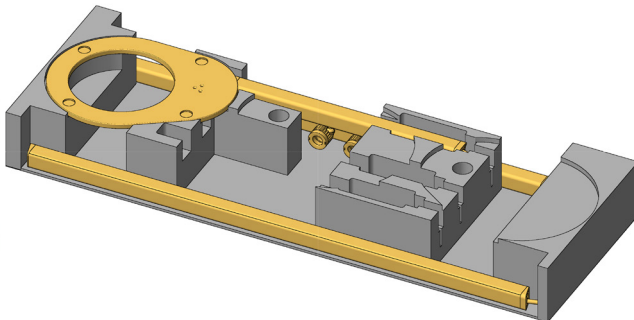
T4 cases have been designed to assemble one mast after another, taking them out in a logical order facilitating the operations.



● MAST N°1



● MAST N°2



● MAST N°3

## ASSEMBLY – INCLINED CONFIGURATION

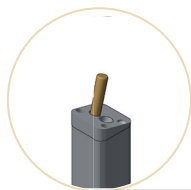


Remove the open base **1** and lay it on the ground.

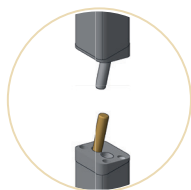


Remove the 850mm extension **2** and slide it in the base profile. The pin of the Hermalink must be facing backwards.

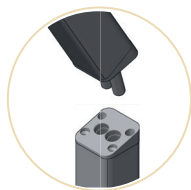
*Check that both elements are locked (locking pin).*



Remove the battery **3** and fit it in the 850mm extension module.



Remove the head **4** and fit it in the extension battery, making sure the head module is inclined.



## ASSEMBLY – STRAIGHT CONFIGURATION

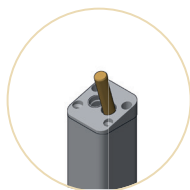


Remove the base **1** and lay it on the ground.

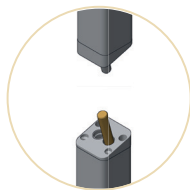


Remove the 85cm extension **2** and slide it in the base profile. The pin of the Hermalink should be facing you.

*Check that both elements are locked (locking pin).*



Remove the battery **3** and fit it in the 85cm extension module.



Remove the head **3** and fit it in the extension battery, making sure the head is straight.





# 5

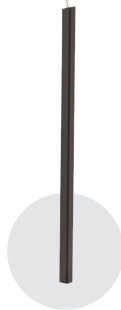
## T4x - CONTENT AND ASSEMBLY



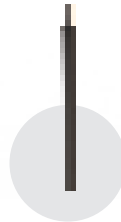
2 X HEAD WITH  
4 SPOTS



2 X BATTERY  
MODULES



2 X 85 CM  
EXT. MODULES



2 X 50 CM  
EXT. MODULES



2 X 20 CM  
EXT. MODULES



2 X OPEN BASE



2 X BALLASTS



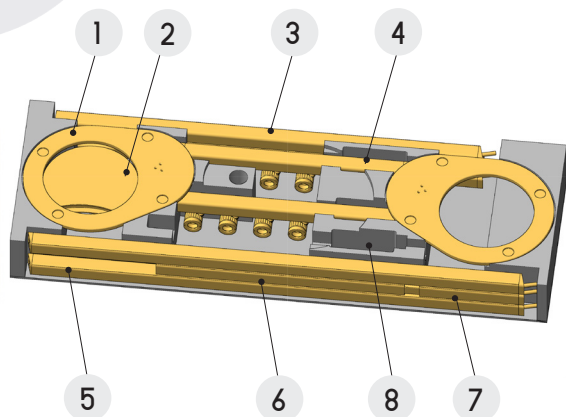
2 X CHARGERS



1 X RANGE T4  
USER GUIDE



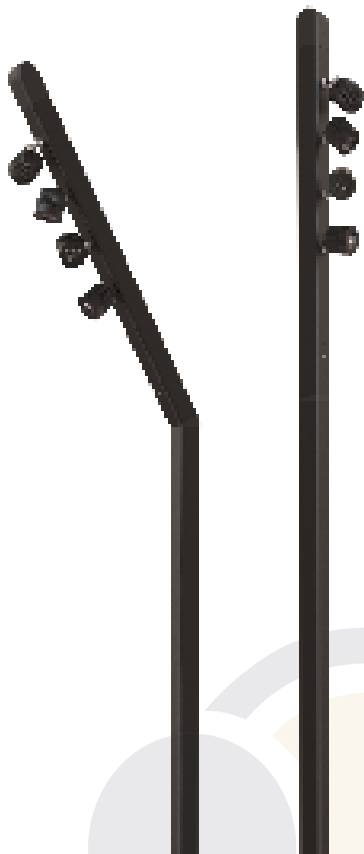
## CONTENT CASE T4X



- 1 OPEN BASE
- 2 BALLAST
- 3 85 CM EXTENSION
- 4 HEAD
- 5 BATTERY MODULE
- 6 50 CM EXTENSION
- 7 20 CM EXTENSION
- 8 CHARGER

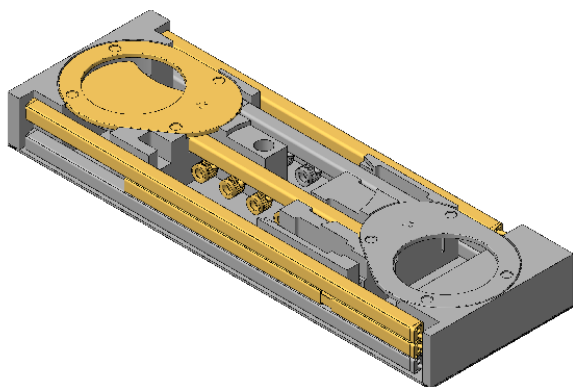


The modular assembly of the **T4X** offers a straight position or inclined position, but more importantly a choice of 4 different configurations. The orientation of some modules (head + battery module) changes, depending on the configuration you want. Read the instructions carefully to turn your **T4X** around.

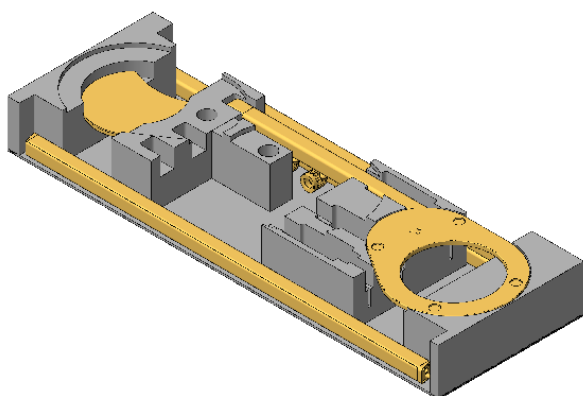


## CONTENT CASE T4<sub>x</sub>

The cases have been designed to assemble the masts one after the other, facilitating operations.



● MAST N°1



● MAST N°2

# ASSEMBLY 280 CM

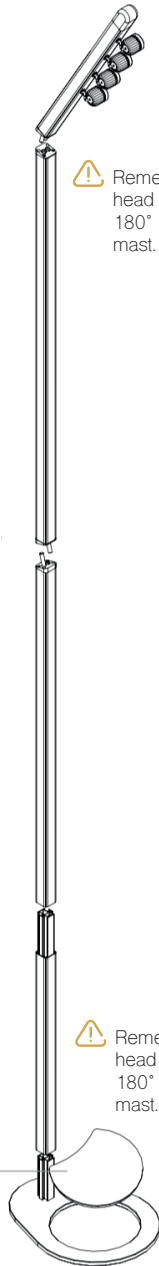


Any other configuration, in particular >280 cm is STRICTLY PROHIBITED.

**BALLAST**



**OBLIGATORY**



Remember to turn the head module around 180° to obtain a straight mast.



Remember to turn the head module around 180° to obtain a straight mast.

**HEAD**

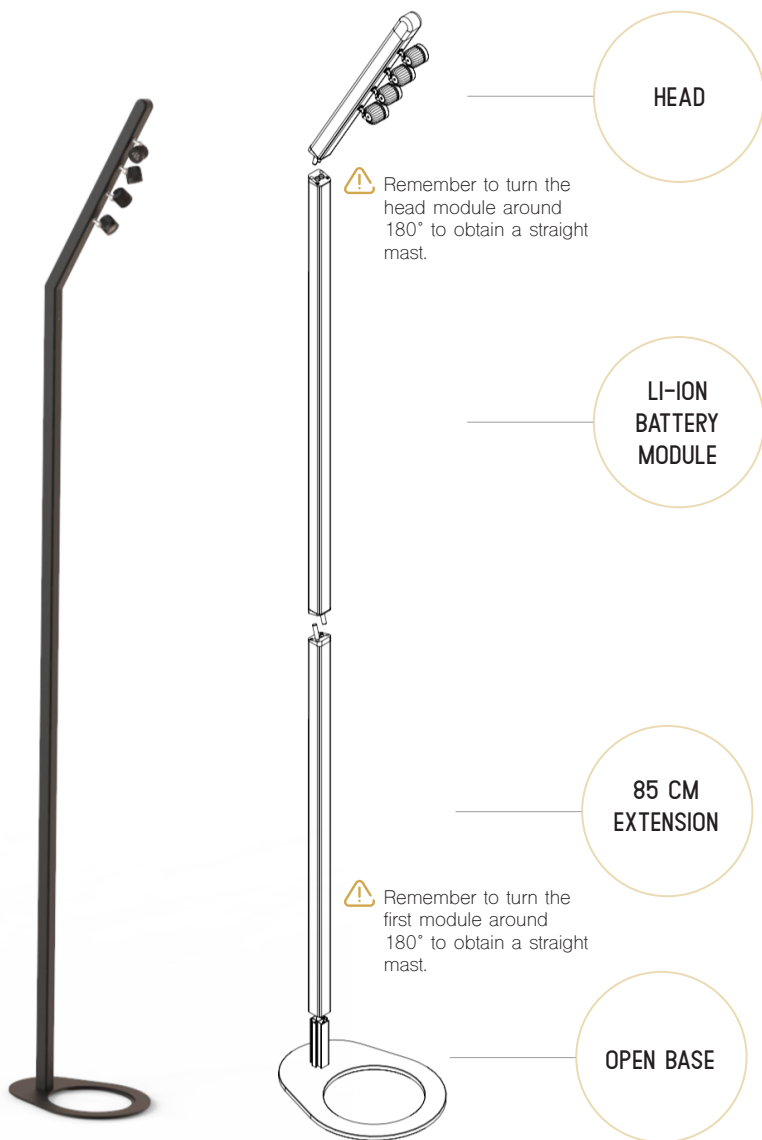
**LI-ION  
BATTERY  
MODULE**

**85 CM  
EXTENSION**

**50 CM  
EXTENSION**

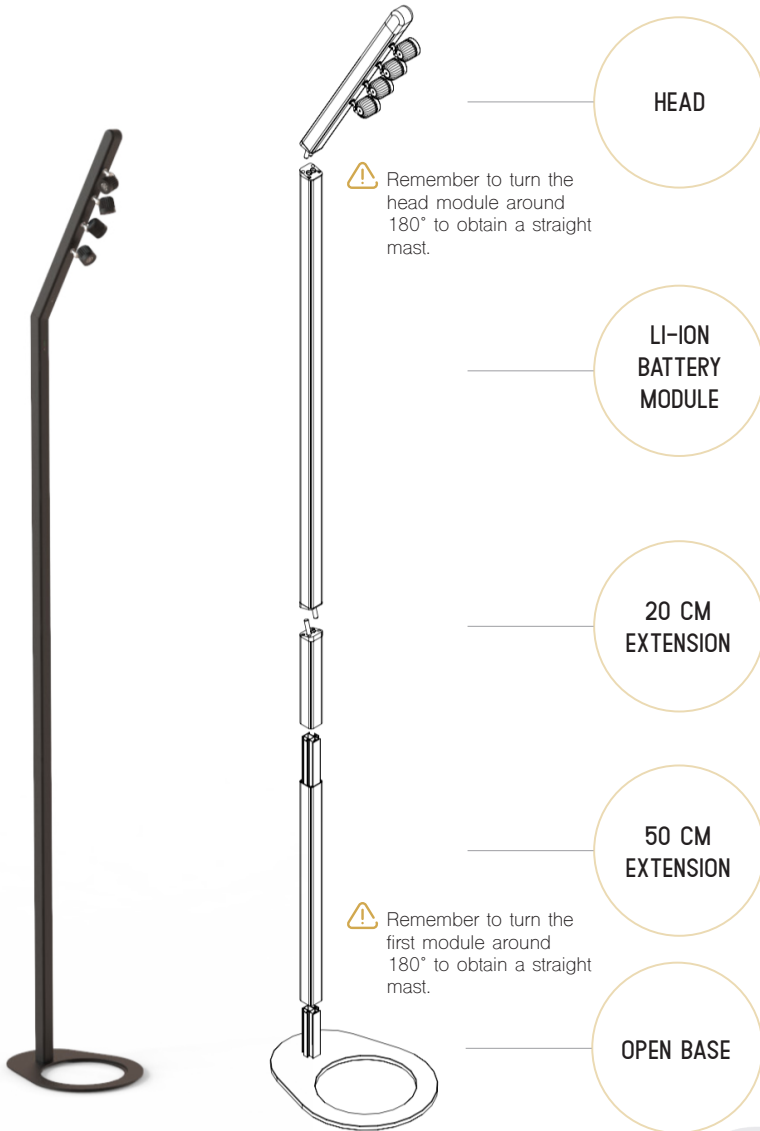
**OPEN BASE**

## ASSEMBLY 230 CM

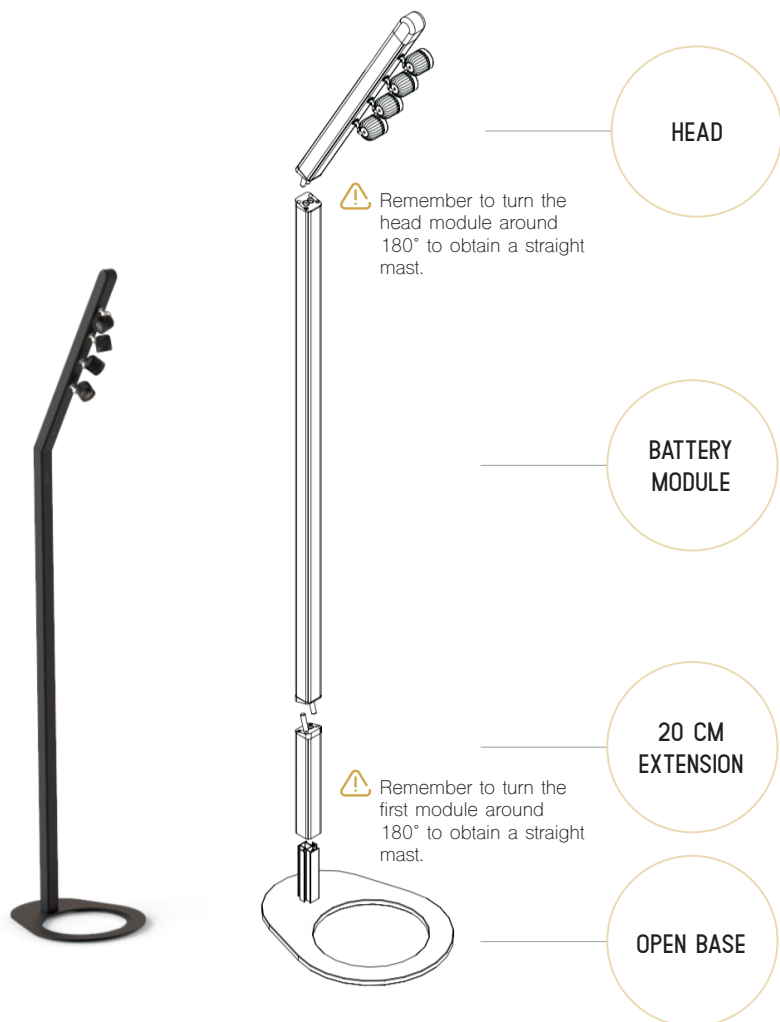


## ASSEMBLY 215 CM

The 2m15 T4 can be set up in spaces with low ceilings, where the 2m30 does not fit.



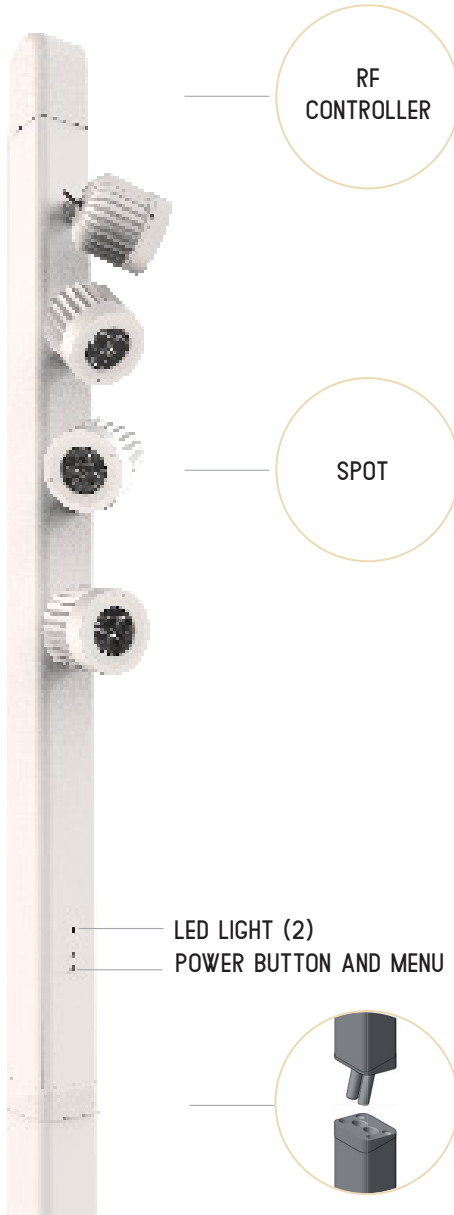
## ASSEMBLY 160 CM



# 6

## MANUAL MODE (T4 ET T4X) : HEAD AND BATTERY OVERVIEWS

HEAD



BATTERY

HERMATWIST



# MANUAL MODE (T4 ET T4X)

## GETTING STARTED

### 1. POWER ON

Switch on the product by assembling the head onto the battery. Each led lights up successively to indicate the kick off of the T4 and T4X.

### 2. SPOT LIGHTING

A short press on the button located at the base of the head (1) starts the 4 spotlights. At first ignition, the T4 and T4X light up on intensity 3, and on the preprogrammed color (White tuning temperature or RGB color) .

### 3. EXTINCTION OF THE SPOTS

At any moment, a long press (> 2 ") on the button (1) causes the extinction of the T4 spots.

### 4. CHANGE OF LIGHT INTENSITY

To change the light intensity, activate the menu by pressing more than 5 " on the button (1).

The activation of this function is indicated by the blinking of the red LED above the button (2).

By default, the first ignition level is 3.

Each short press of the button (1) changes the intensity level (0 to 4)

Absence of pressing the button (1) during 5 " causes the exit of the menu, and turns off the LED indicator (2).

# MANUAL MODE (T4 ET T4~~X~~)

## GETTING STARTED

### 5. BOOST MODE

You have the possibility to switch your T4 onto Boost mode (very intense luminous flux) to punctually address specific needs.

During the activation of the menu, and on any intensity level, press the button (1) for 2" to trigger the boost mode. Switching to this mode is indicated by the blinking of the spots 3 times.

To exit the boost mode, select another intensity level by pressing the button (1).

### 6. CHANGING THE PREPROGRAMMED COLOR (IGNITION COLOR)

Press and hold button (1) more than 10" and release when the LEDs turn on successively.

Each short press on the button (1) changes the basic color (white temperature or RGB color).

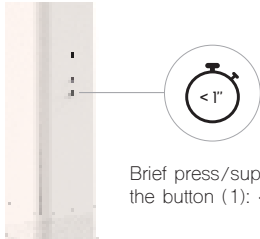
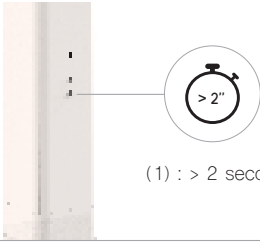
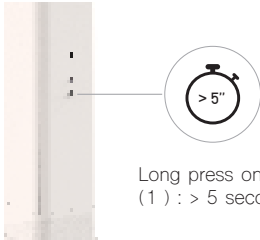
To memorize the basic color in the flash memory of the T4, wait 5" without pressing the button (1).

The spots will flash 5 times to confirm the memorization.

This color will be memorized even if the head is disconnected from the battery. You will go through all modes, Extinction, Boost and finally Color change.

# MANUAL MODE (T4 ET T4~~X~~)

## RECAP

DESIRED ACTION	PROCESS	LIGHT
<p>SWITCHING THE MAST ON</p>	<p>Connect the head to the battery</p>	<p>The LEDs light up successively (chase on each of the spots)</p>
<p>LIGHTING OF THE SPOTS</p>		<p>The spotlights light up on intensity 3 (at first ignition) and on a preprogrammed color temperature or RGB color.</p>
<p>EXTINCTION OF THE MAST</p>		<p>Extinction of the spots</p>
<p>ACTIVATION OF THE MENU</p>		<p>Flashing of the red LED above the button when the menu is activated.</p>

# MANUAL MODE (T4 ET T4X)

## RECAP

### DESIRED ACTION

### PROCESS

### LIGHT

#### CHANGE OF INTENSITY



When the menu is activated, press briefly on the button (1) to navigate through the intensity stages (0 to 4) :  
< 1 second

At each stage, the spotlights change intensity.  
The red LED above the button flashes during the activation of the menu.

#### MODE BOOST



When the menu is activated, and on any intensity level, keep the button (1) pressed during : 2 seconds

Indicated by the blinking of 3 x spots.  
The spots go into Boost mode : Very intense luminous flux

The red LED above the button remains on during the activation of the menu

#### DROP OUT OF BOOST MODE



Select another level of intensity with a brief press on the button (1) :  
< 1 second

The luminous flux becomes standard and the intensity changes from one level to another.

# MANUAL MODE (T4 ET T4<sup>XL</sup>)

## RECAP

### DESIRED ACTION

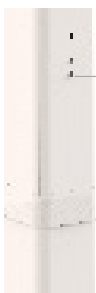
### PROCESS

### LIGHT

CHANGE OF THE  
PREPROGRAMMED  
COLOR



At any time, press on the button (1) to activate the color change option : > 10 seconds



Once the spots have switched on successively, each short press on the button (1) changes the basic color (temperature white or RGB color). <1 second

The spots light up to indicate the activation of the choice of color to pre-program.

The spots change their color temperature at each press of the button.

The red LED above the button stays lit while the menu is active. Before entering the option to change the pre-programmed color, you have to go through two successive stages: the extinction of the mast (2 ") and the activation of the menu (5 ").

MEMORIZATION  
OF THE  
PREPROGRAMMED  
COLOR



When the desired color is selected, wait without pressing during : 5 seconds

The spots flash 5 times to indicate the memorization.

DROP DOWN  
MENU



At any moment, wait without pressing during : 5 seconds

The red LED above the button turns off.

The spots flash 5 times to indicate the memorization then the Red LED turns off.

If in the pre-programmed color change menu the T4 exits the menu but stores the selected color.

# 7

## REMOTE CONTROLLING

LIGHT CAN BE REMOTE CONTROLLED IN TWO WAYS:

### 1. With LA'KO, the DMX remote control.

LA'KO allows you to control from one and only device, the DMX HF transmitter is integrated to the remote control. Effects, colors and intensity are adaptable. For more information, please refer to the LA'KO user guide.

### 2. From a console

With an HF transmitter (ref TA51) or HF + Wifi transmitter (ref TA51W2).



Note on the TA51 and TA51W2 transmitters

TA51 / TA51W2 transmitters assign the DMX addresses of the T4 lighting masts.

The DMX addressing of the T4 is done directly through the TA51 and TA51W2 transmitters via the ASSIGN menu.

The T4 lighting masts have 6 DMX channels, the TA51 and TA51W2 transmitters manage 512 DMX channels.

They have 31 DMX universes and 21 frequencies. For instructions on TA51 and TA51W2, please refer to their user guides.

DMX CHANNEL	CCT	RGB
1	Dimmer	Dimmer
2	Strobe	Strobe
3	3000K	Red
4	4000K	Green
5	5000K	Blue
6	NC	NC

## REMOTE CONTROL FUNCTIONS : RECAP



**LA'KO**

Control your T4 from a single device. Chose between manual or auto modes, adjust the intensity, chose between the pre-programmed colors and effects (Rainbow, Chase and Random) or personalise your choice thanks to the «Picker» tool .



**LIGHTING CONSOLE + HF  
/ HF WIFI TRANSMITTER  
(TA51 OR TA51W2)**

Ideal if you want to integrate your T4 into real scenographies and light shows that also include other IDMX-controlled lighting systems.

# 8

## BATTERY



OVERVIEW

The battery module is equipped with 4 LEDs that indicate the charging status of the batteries



The battery module is interchangeable if the latter is completely discharged, it can simply be replaced by another T4 battery module.

LEDS express different information according to the mode use. There are 2 modes:

- In use
- Charging



BUTTON

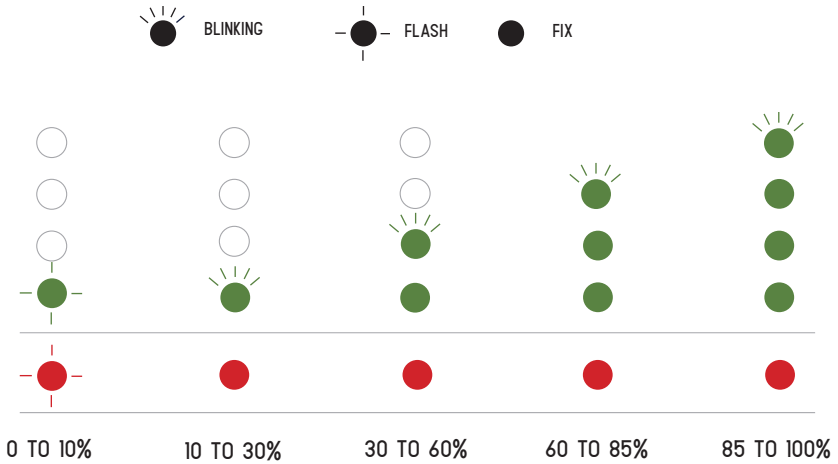
LIGHT/BATTERY STATUS

JACK



# LEDS AND STATE OF CHARGE

When the T4 is operating, it is possible to know the state of charge of the batteries.  
Press the button, the LEDs will show you the state of battery according to the following diagram:



When the T4 is charging, only the last LED blinks to indicate the charging mode.

Read the Precautions on page 2 before servicing.

- Refer any maintenance operation not described in this manual to a qualified service technician.
- Disconnect the product from the mains before cleaning. Perform maintenance in an area where the risk of falling components, tools or any other material is discarded.
- Excess dust, smoke and particle aggregates degrade performance and cause overheating that can damage the device. The damages caused by a hazardous cleaning or insufficient maintenance are not covered by the warranty of the product.

### 1. REPAIR

There are no user-serviceable components inside the unit.

Do not open the different modules of the product.

Do not try to repair the device yourself, this could create a risk for safety or damage that would not be covered by the INNLED warranty. Any other intervention must be carried out by the INNLED SAV.

### 2. CLEANING

The cleaning of the optical components must be carried out regularly to optimize the light output.



Do not use strong pressure for cleaning



Work in a clean and well-lit area.



Do not use products containing solvents or abrasives, they could damage the surfaces.

To clean the device:

Check that the device is turned off.

Clean the surfaces with a microfiber cloth soaked in cleaning window solution. Rub gently.

Clean the lenses of the LEDs softly with a clean cloth soaked in a mild detergent solution.

Do not rub the surfaces too hard. Dry with a soft and clean cloth, or low pressure compressed air. Remove any remaining particles with a wipe. Check that the unit is completely dry before switching on.

---

## SAV INNLED

From Monday to Friday

from 9am to 6pm

360 Avenue des Compagnons 34170

Castelnau-le-lez

+339 500 508 78

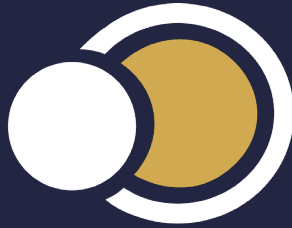
sav@innled.fr



### Recycling of products

INNLED products are supplied in compliance with Directive 2002/95 / EC of European Parliament and the Council of the European Union on the Reprocessing of Electrical and Electronic Equipment (WEEE) when applicable.

Help safeguard the environment by ensuring that this product will be recycled! Contact us to learn more about the local recycling provisions of our products.



# INNLED

ANOTHER WAY OF LIGHT

360 avenue des Compagnons  
34170 Castelnau-le-Lez  
FRANCE

[contact@innled.fr](mailto:contact@innled.fr)

[www.innled.fr](http://www.innled.fr)

